

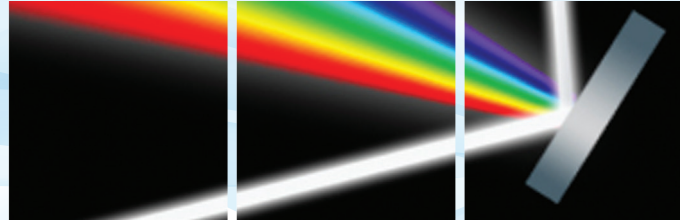


KiloArc™

Ultra High Intensity Light Source

ELEMENTAL ANALYSIS
FLUORESCENCE
GRATINGS & OEM SPECTROMETERS
OPTICAL COMPONENTS
FORENSICS
PARTICLE CHARACTERIZATION
RAMAN
SPECTROSCOPIC ELLIPSONOMETRY
SPR IMAGING

Our new KiloArc™ illumination system delivers the brilliance of 1,000 suns



Our new KiloArc™ illumination system delivers the brilliance of 1,000 suns. If you are looking for more than 100 watts of optical output power delivered to an 8 mm diameter area, the KiloArc™ is your light source. No illuminator delivers more watts for the buck than the KiloArc™.

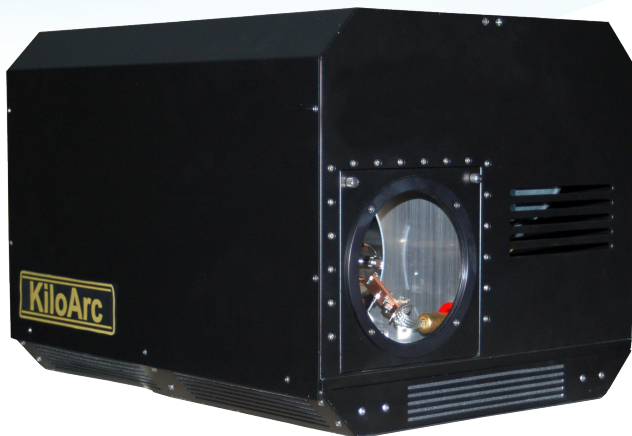
The KiloArc™ is a complete, integrated light source that includes power supply, starter, high efficiency collection optics and lamp housing in one compact package. One can use either a 1,000 watt xenon or xenon-mercury lamp. Lamps are easy to change—no tools required. The system is air-cooled and uses a high efficiency ellipsoidal reflector for collection, delivering up to 6 times more optical output power than that of a system using conventional lenses for collection.

Features and Benefits

- High collection optics: delivers maximum output, >100 W of optical power, in small focused area, less than 8 mm diameter
- Compact integrated design: small footprint (0.375 m width by 0.489 m length)
- Ozone free operation: venting is not a necessity, but an option
- High optical stability coupled with low optical noise: reliably delivering set power
- Available in two versions: manual or computer-controlled
- Pre-aligned bulb assemblies, no tools required; makes bulb changes easy and safe
- Economical – the most delivered watts/dollar

Applications

- Solar and photovoltaics
- UV curing
- Semiconductor testing
- Photovoltaic testing
- Solar exposure testing of color
- Phototoxicity research
- Material degradation research
- Atmospheric photochemical pollution research

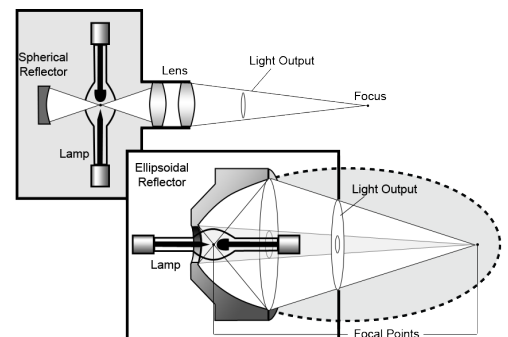
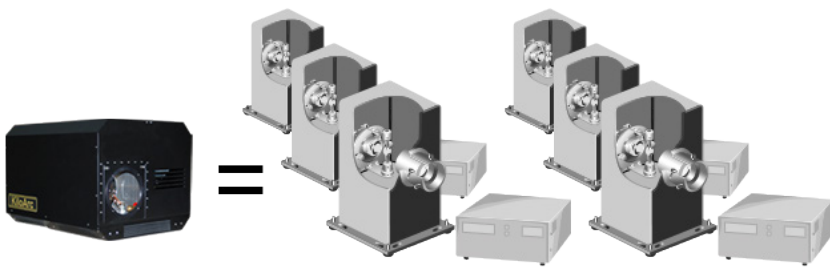


The KiloArc™ can be combined with an OBB monochromator to create a powerful Tunable KiloArc™ Light Source.

Specifications

Input	210–240 V AC 50/60 Hz
Starting	45 KV starting pulse
Power rating	800–1200 watts (adjustable)—recommended 800–1000 watts
Lamp module type	1000 watt Xenon, 1000 watt Mercury/Xenon (proprietary to OBB)
Lamp life	Typically 1,500 hrs
Focusing optics	High efficiency f/4 ellipsoid reflector
Power precision	0.04% (0.4 watts)
Output volts compliance	17–23 VDC
Output current limit	70 A rms
Window diameter	127 mm (5.0 inches)
Central beam light height (without feet)	128 mm (5.0 inches)
Spot size	8 mm FWHM
Optical power	100 watts broadband
Optical stability	0.2%
Optical noise (ripple)	0.07% RMS
Dimensions (LxWxH)	489 mm (19.3 inches) x 375 mm (14.8 inches) x 329 mm (12.9 inches)
Weight	31 kg (68 pounds)

You would have to buy 6 old style vertical arc lamp housings to deliver the same number of photons that our KiloArc™ arc lamp illuminator delivers to a focused spot!



OPTICAL BUILDING BLOCKS



HORIBA
Scientific

contact@OBB1.com

USA: +1 732 494 8660
UK: +44 (0)20 8204 8142
China: +86 (0)21 6289 6060

France: +33 (0)1 69 74 72 00
Italy: +39 2 5760 3050
Brazil: +55 (0)11 5545 1500

www.obbcorp.com

Germany: +49 (0)89 4623 17-0
Japan: +81 (0)3 6206 4721
Other: +1 732 494 8660